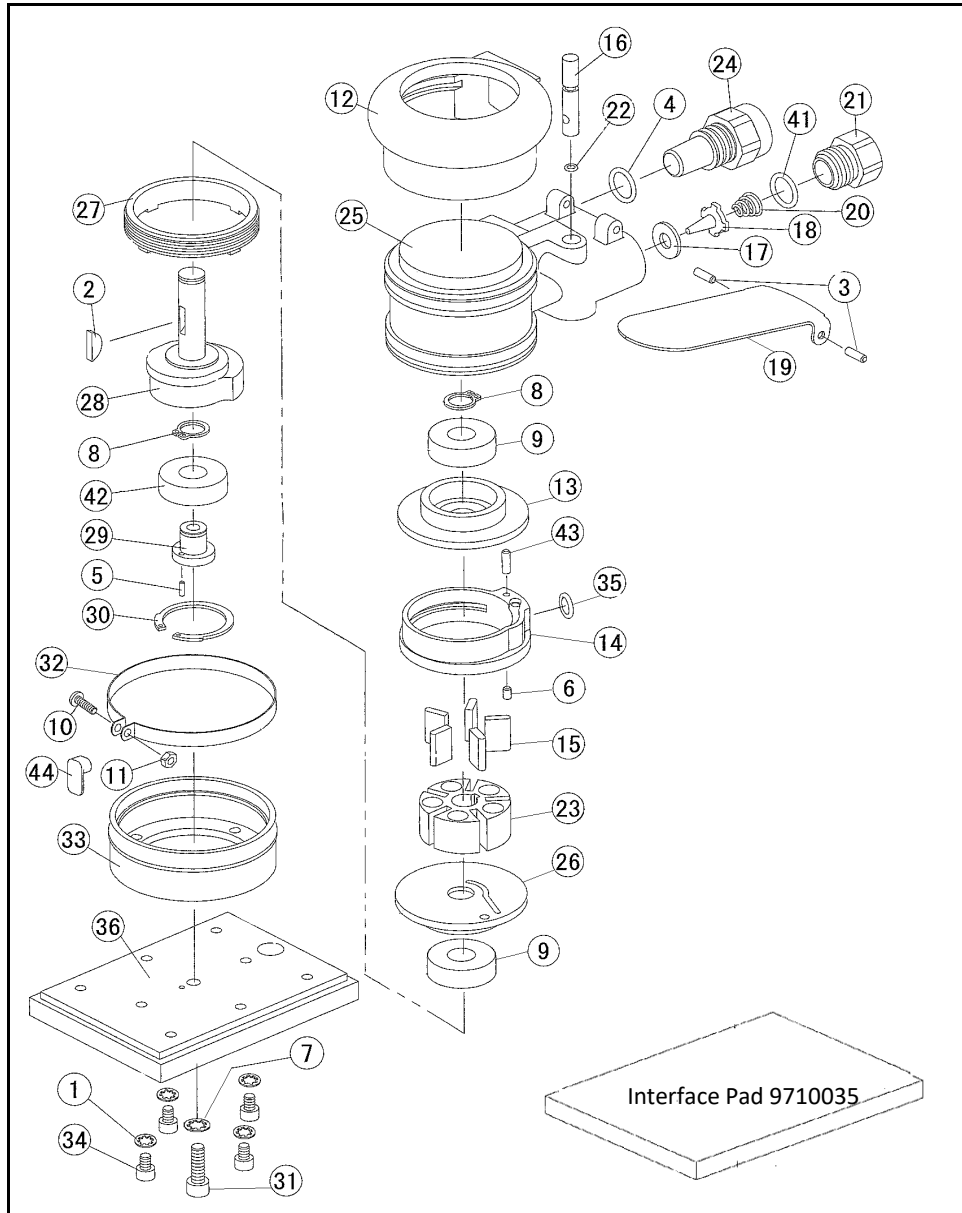




910-0202 Orbital Sander K0-202BA



| Index No. | Code | Description | Qty |
|--------------|---------|---|-----|
| 9100202BA-1 | 1244 | Washer (No4 | 4 |
| 9100202BA-2 | 1427 | Woodruff key | 1 |
| 9100202BA-3 | 1449 | Spring pin | 2 |
| 9100202BA-4 | 2211 | O-Ring | 1 |
| 9100202BA-5 | 2301 | Spring pin | 1 |
| 9100202BA-6 | 4385 | Spring pin | 1 |
| 9100202BA-7 | 4732 | Washer (inside teeth, No5 | 1 |
| 9100202BA-8 | 3253 | Retaining ring | 2 |
| 9100202BA-9 | 3256 | Ball Bearing | 2 |
| 9100202BA-10 | 4246 | Pen head screw | 1 |
| 9100202BA-11 | 4247 | Hex Nut | 1 |
| 9100202BA-12 | 4401 | Housing cover | 1 |
| 9100202BA-13 | 4404 | Rear End Plate | 1 |
| 9100202BA-14 | 4405K | Cylinder | 1 |
| 9100202BA-15 | 4406 | Vane | 5 |
| 9100202BA-16 | 4414 | Valve stem | 1 |
| 9100202BA-17 | 4415 | Seal washer | 1 |
| 9100202BA-18 | 4416 | Chip valve | 1 |
| 9100202BA-19 | 4417 | Valve lever | 1 |
| 9100202BA-20 | 4418 | Valve spring | 1 |
| 9100202BA-21 | 4419 | Air Inlet Bushing | 1 |
| 9100202BA-22 | 4420 | O-Ring | 1 |
| 9100202BA-23 | 4431 | Rotor | 1 |
| 9100202BA-24 | 4432 | Muffler Assy | 1 |
| 9100202BA-25 | 4447 | Housing (Red | 1 |
| 9100202BA-26 | 4448 | Front End Plate | 1 |
| 9100202BA-27 | 4449 | Lock ring | 1 |
| 9100202BA-28 | 4450 | Shaft | 1 |
| 9100202BA-29 | 4453 | Balancer shaft | 1 |
| 9100202BA-30 | 4455 | Retaining ring | 1 |
| 9100202BA-31 | 4731 | Cap Screw | 1 |
| 9100202BA-32 | 4457 | Fastening belt | 1 |
| 9100202BA-33 | 4459 | Rubber cover | 1 |
| 9100202BA-34 | 4489 | Cap Screw | 4 |
| 9100202BA-35 | 5002 | O-Ring | 1 |
| 9100202BA-36 | 5572 | Backup Pad 71x106 | 1 |
| 9100202BA-37 | 9710035 | Interface Pad (Super Assilex Pad M with velour) | 1 |
| 9100202BA-38 | 4438 | O-Ring | 1 |
| 9100202BA-39 | 4473 | Ball Bearing | 1 |
| 9100202BA-40 | 4386 | Spring pin | 1 |
| 9100202BA-41 | 4472 | Exhaust guide | 1 |
| 9100202BA-42 | 5536 | Sponge Buff | 2 |

*Parts may be changed with/without notice.